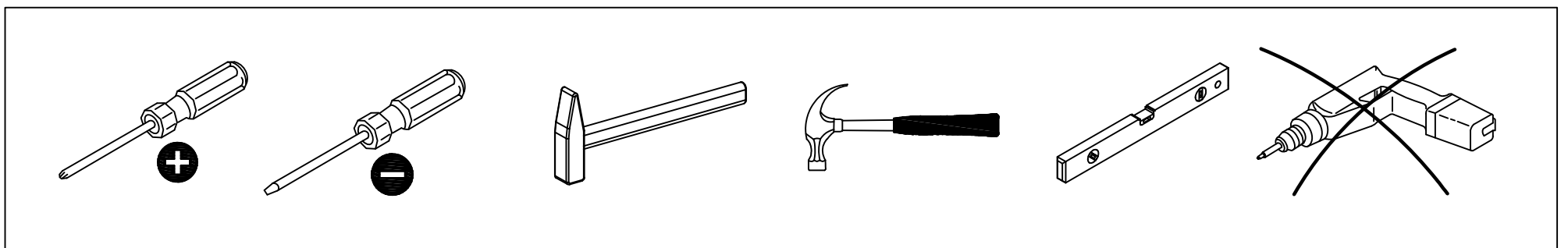
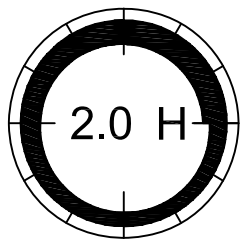
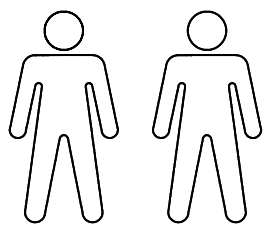
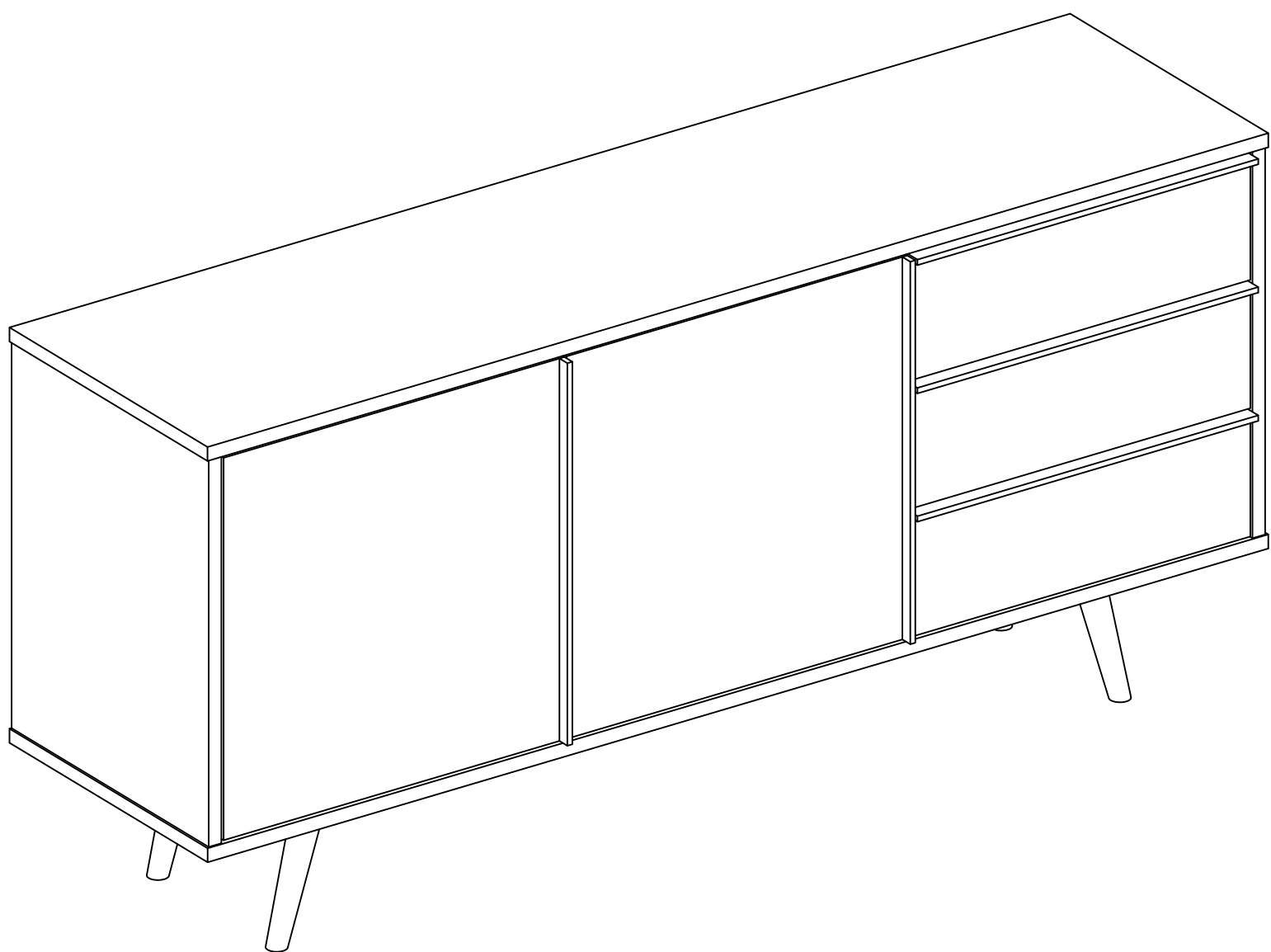
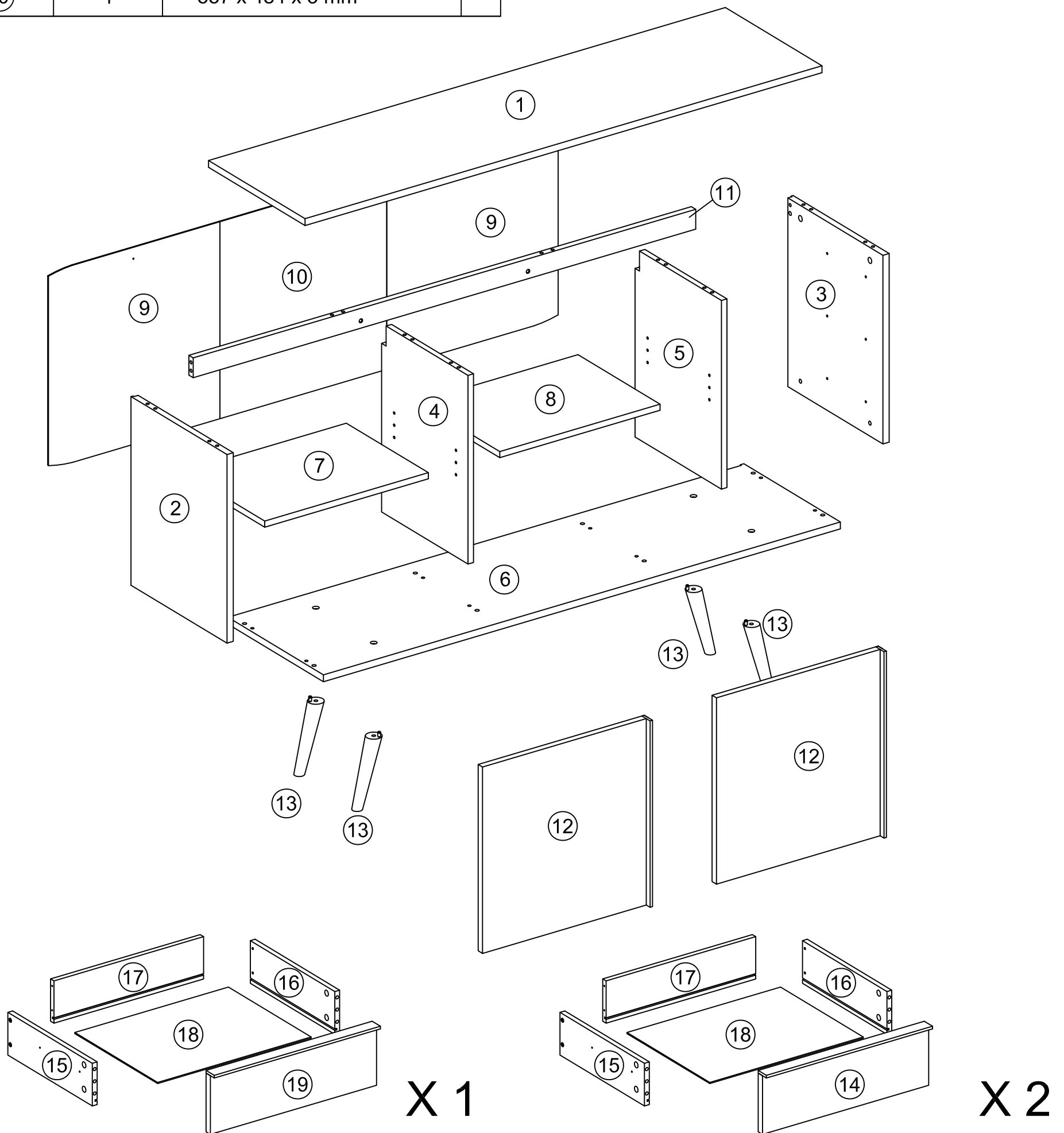


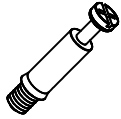


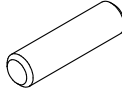


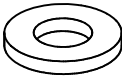
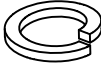





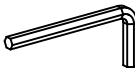


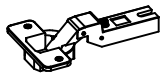




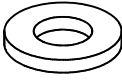
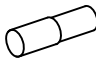


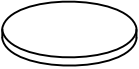
Tronheim







			✓
①	1	1500 x 400 x 18 mm	
②	1	534 x 398 x 18 mm	
③	1	534 x 398 x 18 mm	
④	1	534 x 358 x 16 mm	
⑤	1	534 x 358 x 16 mm	
⑥	1	1500 x 400 x 18 mm	
⑦	1	474 x 340 x 16 mm	
⑧	1	464 x 340 x 16 mm	
⑨	2	557 x 497.5 x 3 mm	
⑩	1	557 x 484 x 3 mm	

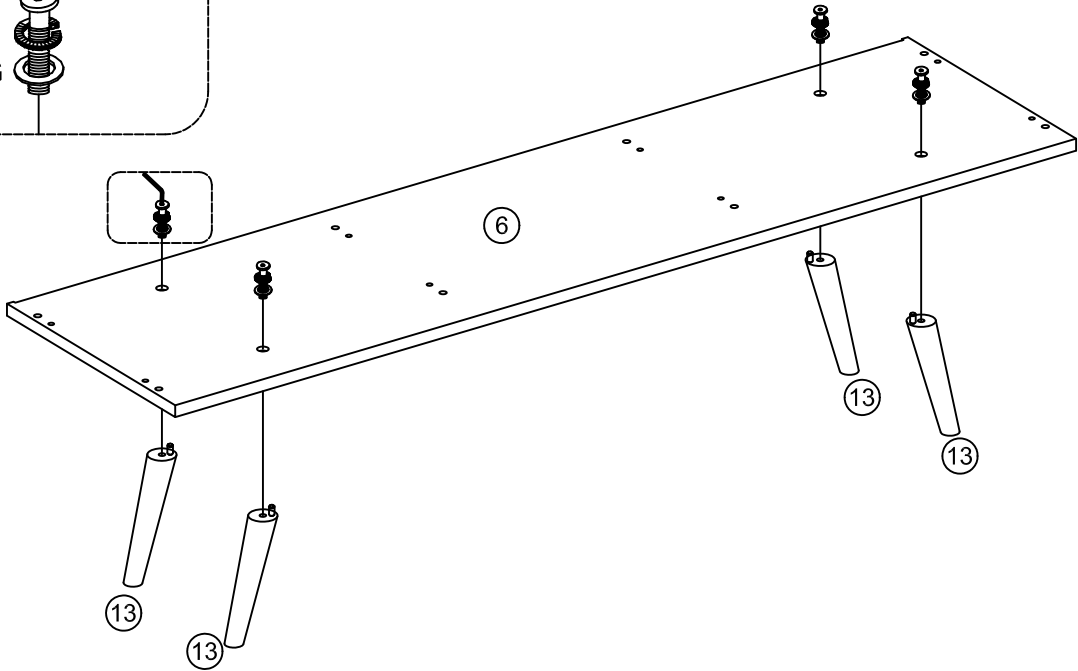
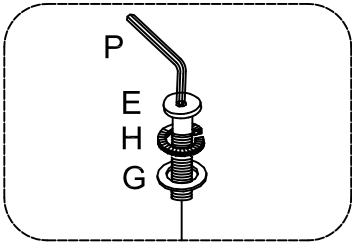
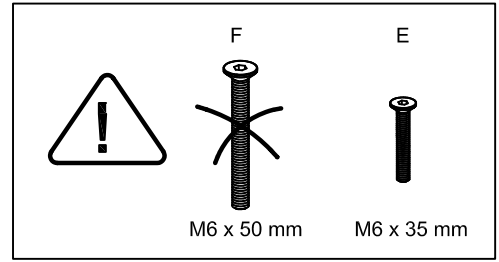
			✓
⑪	1	1458 x 51 x 18 mm	
⑫	2	528 x 482 x 34 mm	
⑬	4	198 x Ø60/Ø30 mm	
⑭	2	482 x 174 x 34 mm	
⑮	3	300 x 122 x 14 mm	
⑯	3	300 x 122 x 14 mm	
⑰	3	424.5 x 121 x 14 mm	
⑱	3	435 x 293 x 3 mm	
⑲	1	482 x 174 x 34 mm	







<p>A x 24</p>  <p>Ø6.5 x 43 mm</p>	<p>B x 12</p>  <p>Ø15 x 12 mm</p>	<p>C x 12</p>  <p>Ø12 x 10 mm</p>	<p>D x 26</p>  <p>Ø8 x 30 mm</p>	<p>E x 4</p>  <p>M6 x 35 mm</p>
<p>F x 8</p>  <p>M6 x 50 mm</p>	<p>G x 4</p>  <p>Ø6/Ø16 mm</p>	<p>H x 4</p>  <p>M6</p>	<p>J x 44</p>  <p>Ø3.5 x 15 mm</p>	<p>K x 12</p>  <p>Ø4 x 35 mm</p>
<p>L x 4</p>  <p>Ø3.5 x 16 mm</p>	<p>M x 6</p>  <p>300 mm</p>	<p>N x 6</p> 	<p>P x 1</p>  <p>4 mm</p>	<p>Q x 18</p>  <p>Ø6 x 8 mm</p>
<p>R x 2</p>  <p>Ø7 x 40 mm</p>	<p>S x 2</p>  <p>Ø 35 , FK 9</p>	<p>T x 8</p>  <p>Ø10 x 12 mm</p>	<p>U x 2</p>  <p>Ø 35 ,FK 17</p>	<p>V x 4</p> 
<p>W x 2</p>  <p>150 mm</p>	<p>X x 2</p>  <p>Ø4/Ø12 mm</p>	<p>Y x 8</p>  <p>Ø6 mm</p>	<p>Z x 4</p>  <p>19*14 mm</p>	<p>AA x 26</p>  <p>Ø1.2 x 20 mm</p>
<p>BB x 4</p>  <p>Ø25 mm</p>				

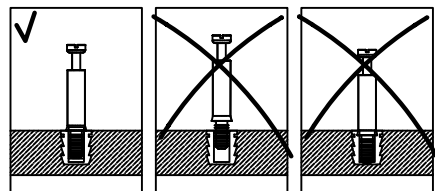
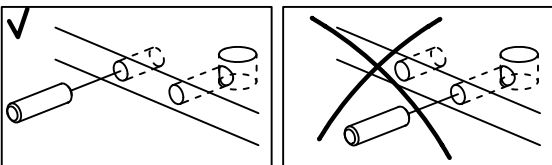
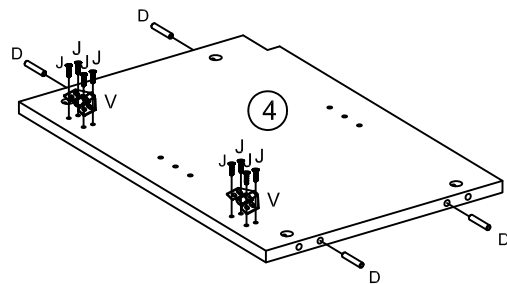
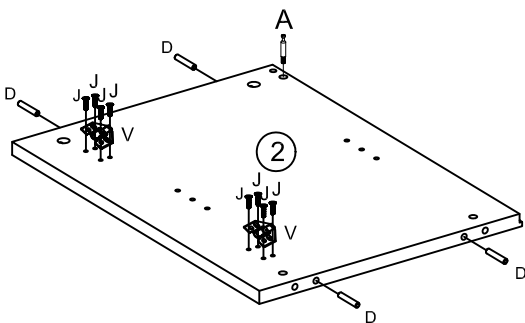
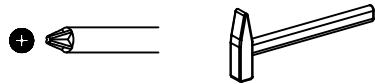
1

E x 4  M6 x 35 mm	G x 4  Ø6/Ø16 mm	H x 4  M6	P x 1  4 mm
--	---	--	--

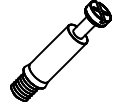
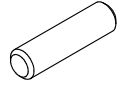




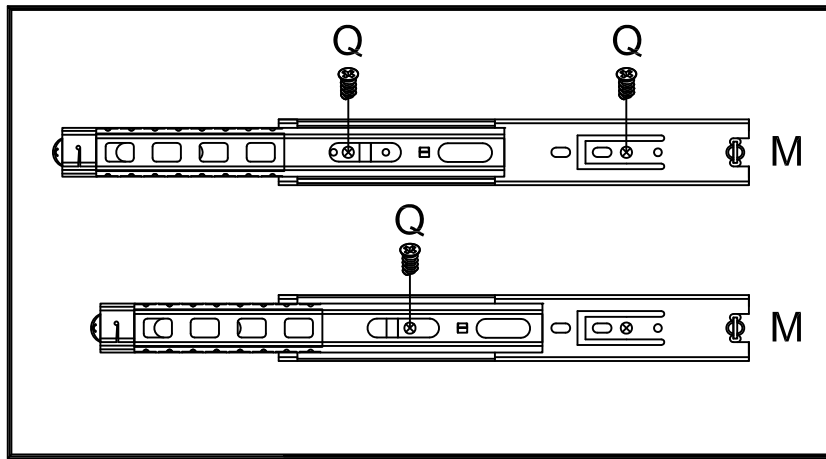
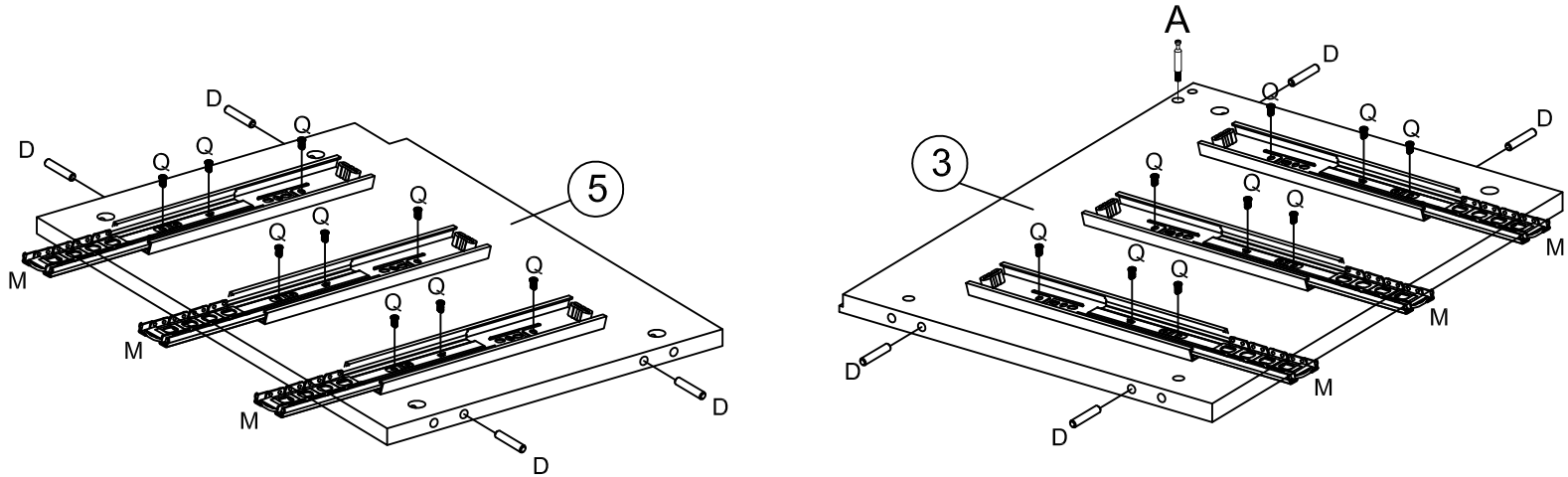
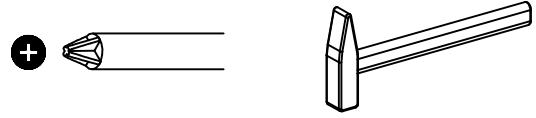
2

A x 1  Ø6.5 x 43 mm	D x 8  Ø8 x 30 mm	J x 16  Ø3.5 x 15 mm	V x 4 
--	--	---	--

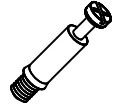
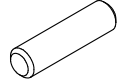


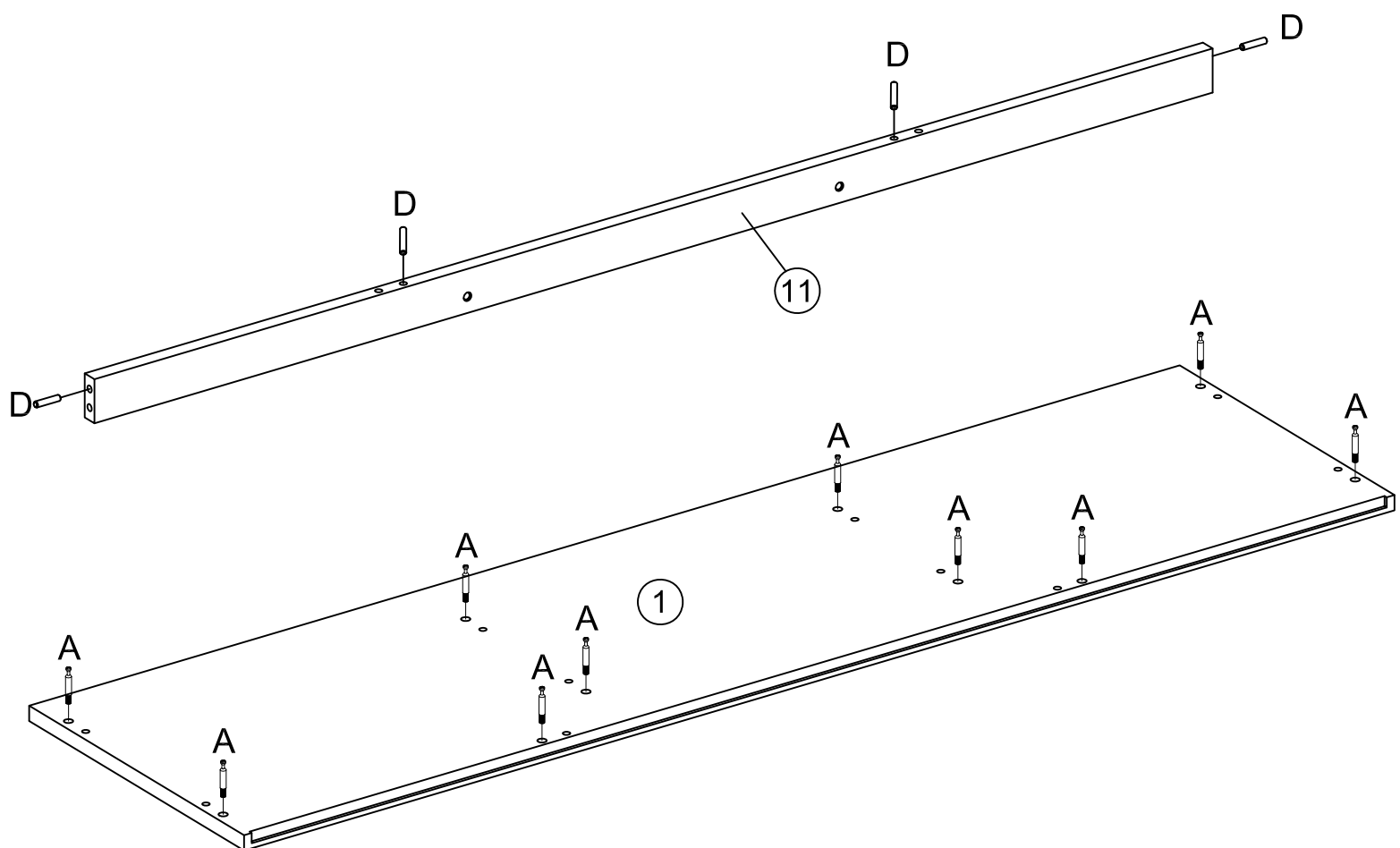
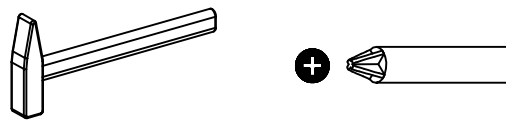
3

A x 1  Ø6.5 x 43 mm	D x 8  Ø8 x 30 mm	M x 6  300 mm	Q x 18  Ø6 x 8 mm
--	--	--	--

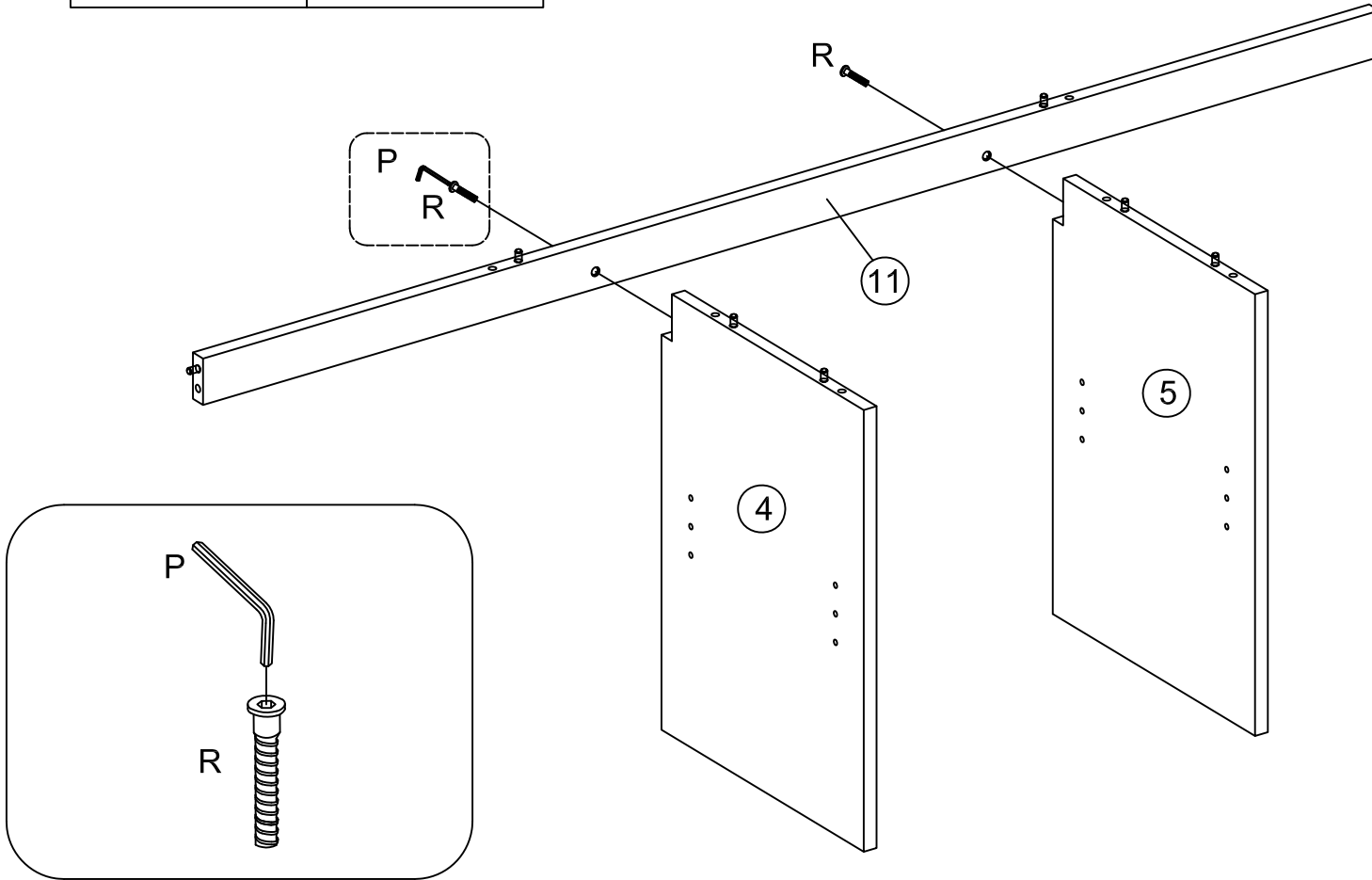
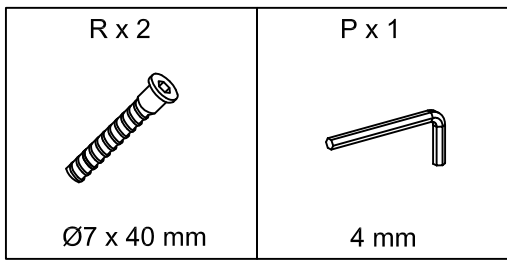


4

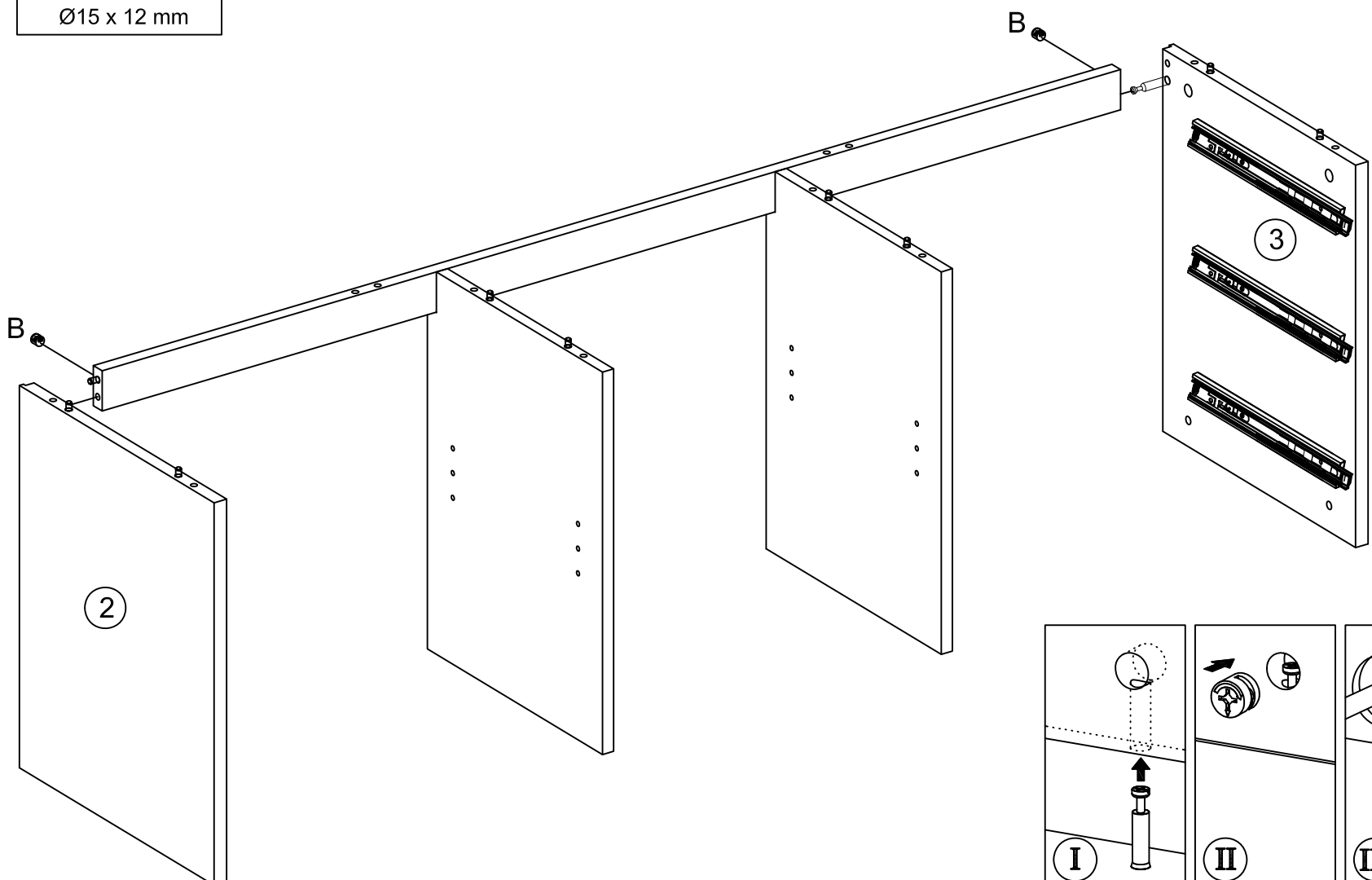
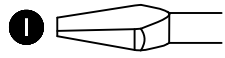
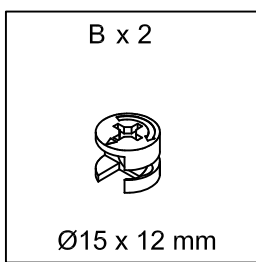
A x 10  Ø6.5 x 43 mm	D x 4  Ø8 x 30 mm
---	--






5




6



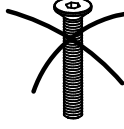
7

F x 8  M6 x 50 mm	P x 1  4 mm	T x 8  Ø10 x 12 mm
--	--	---



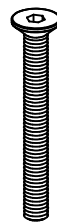


E

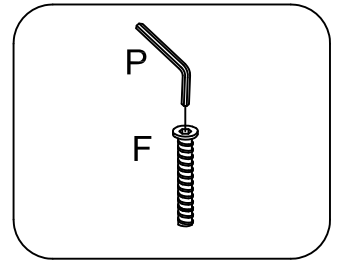
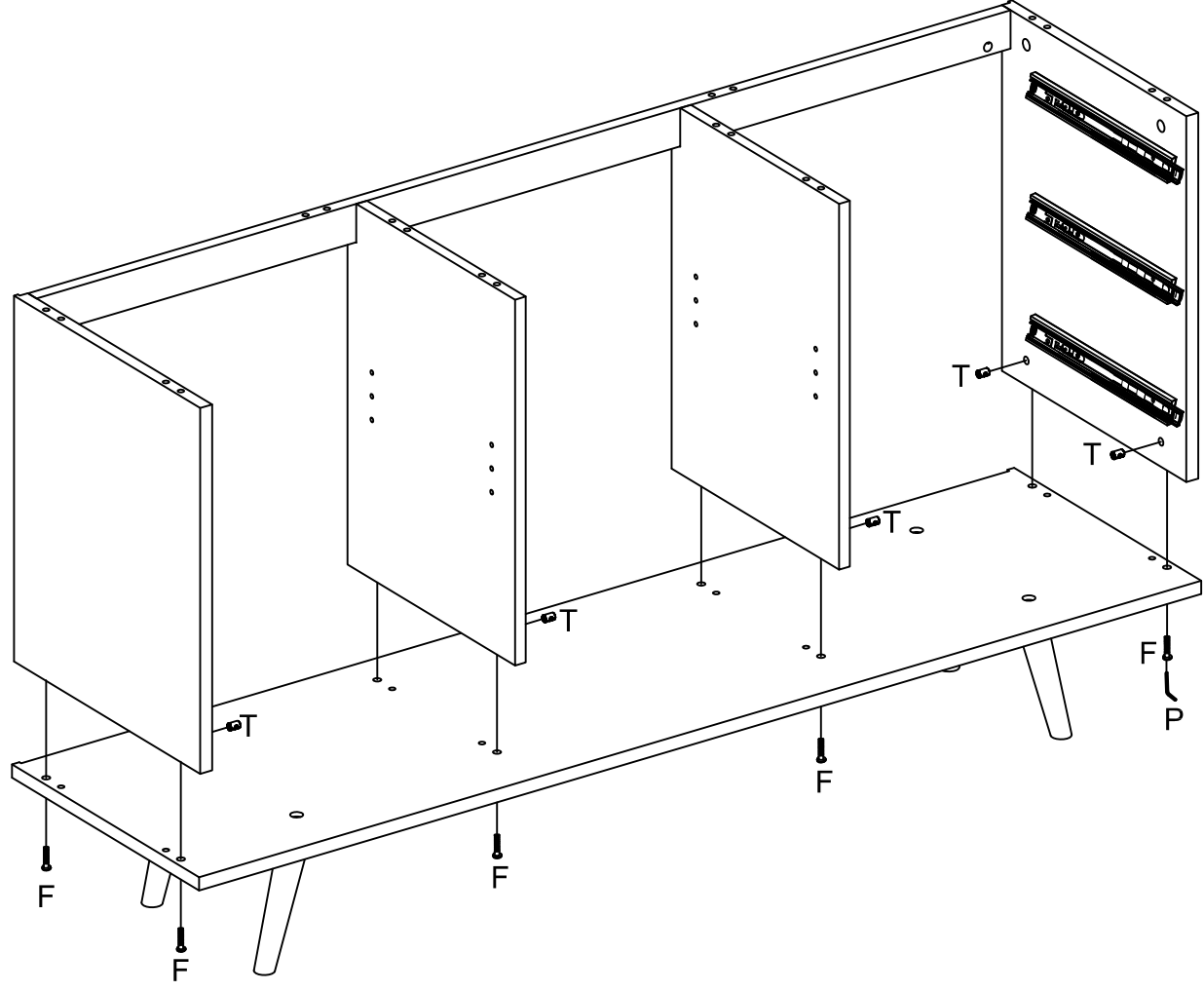


M6 x 35 mm



F

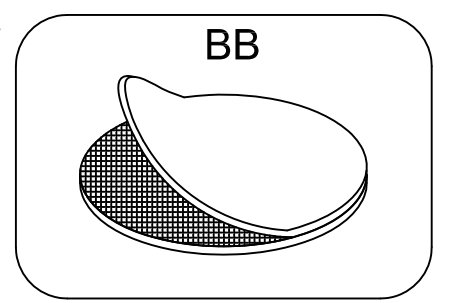
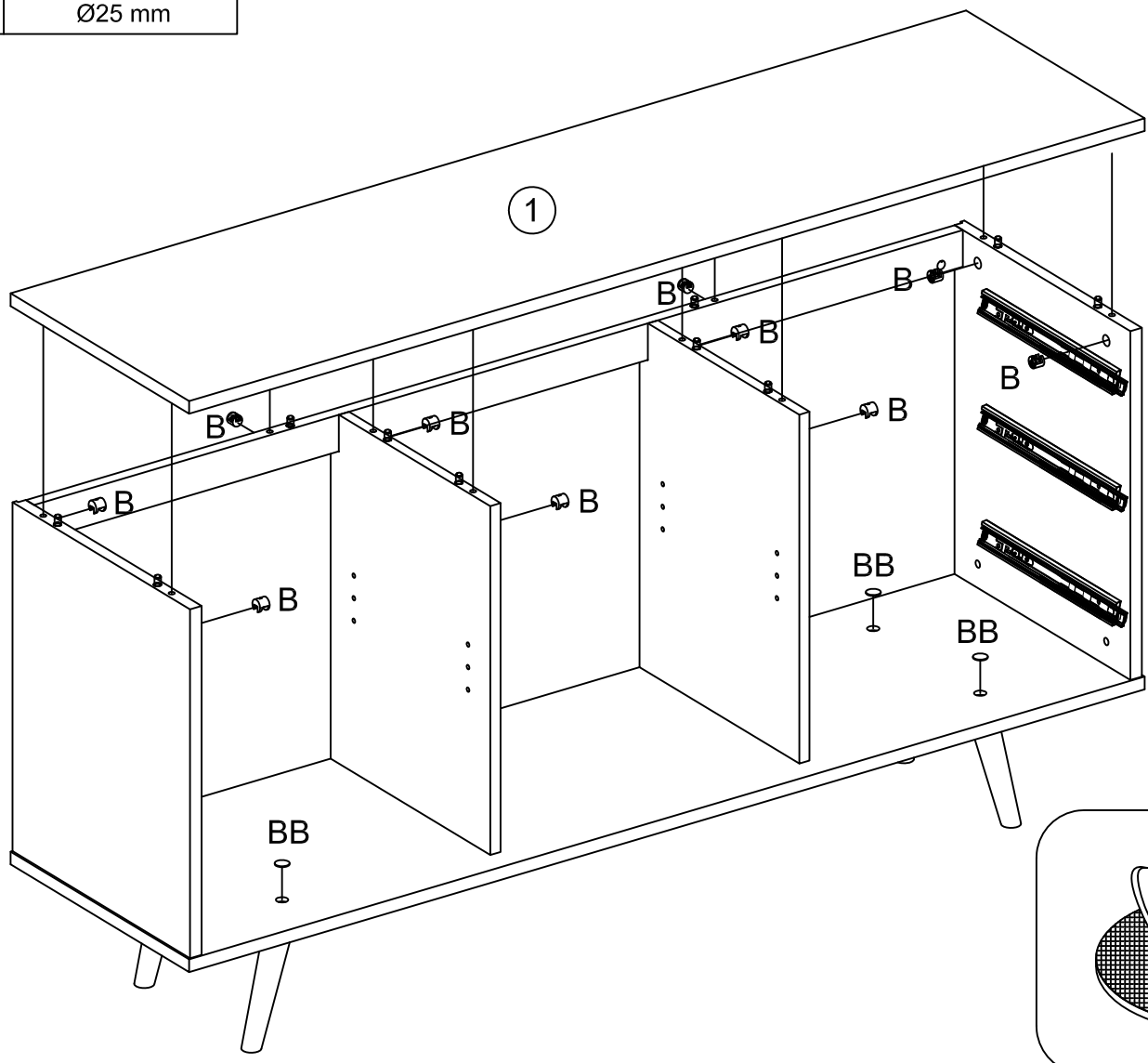
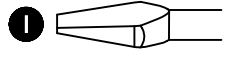


M6 x 50 mm



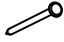





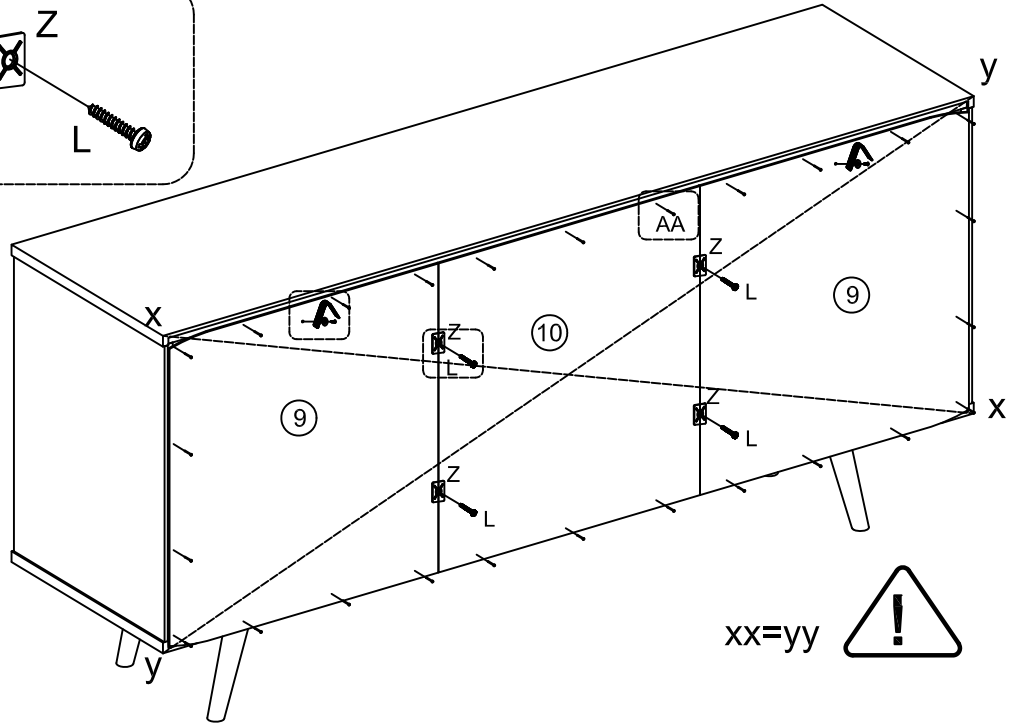
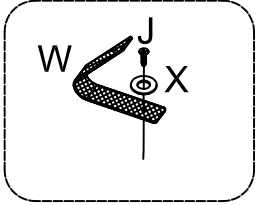
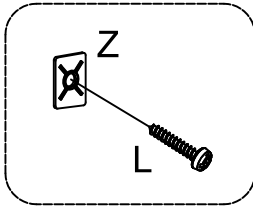
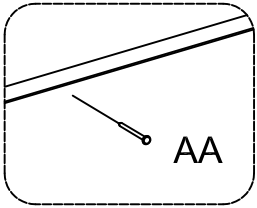
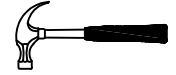
8

B x 10  Ø15 x 12 mm	BB x 4  Ø25 mm
--	---



9

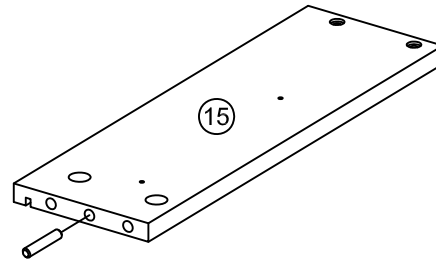
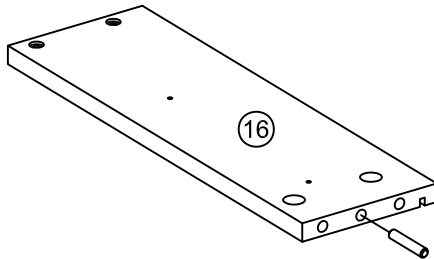
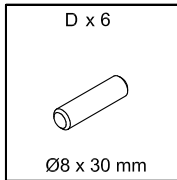
L x 4  Ø3.5 x 16 mm	Z x 4  19*14 mm	AA x 26  Ø1.2 x 20 mm	W x 2  150 mm	X x 2  Ø4/Ø12 mm	J x 2  Ø3.5 x 15 mm
--	--	--	--	--	--



xx=yy

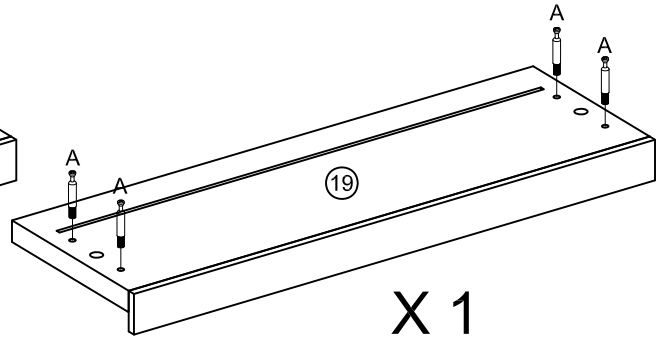
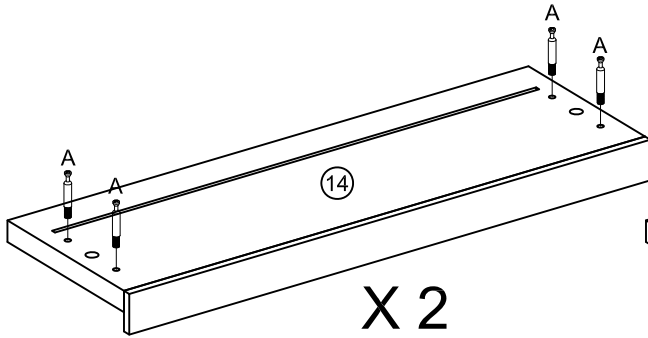
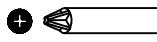
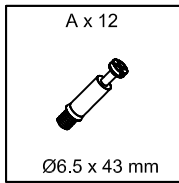


10

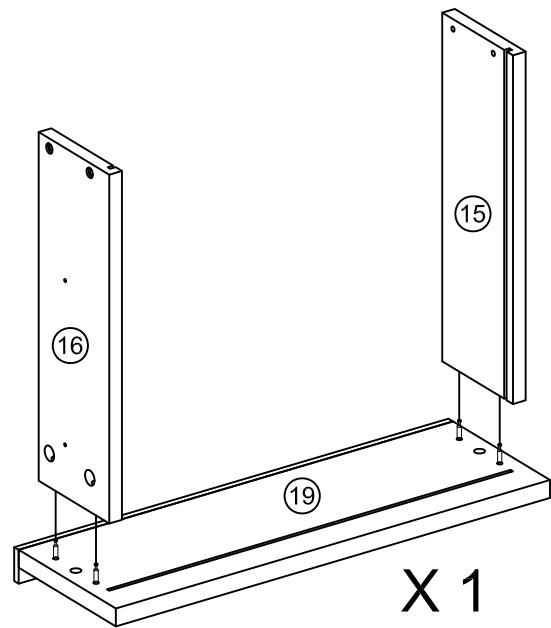
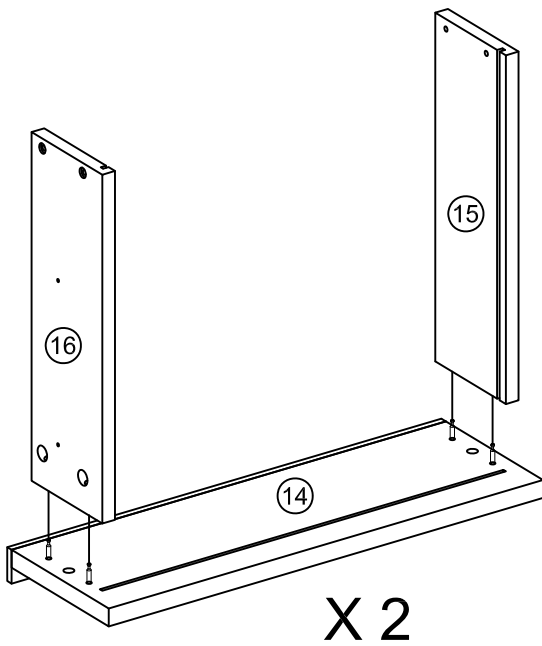


X 3

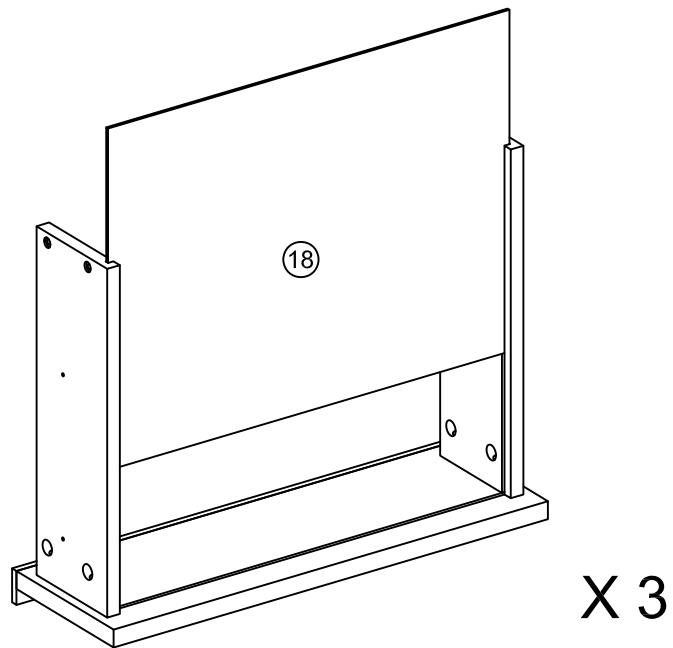
11



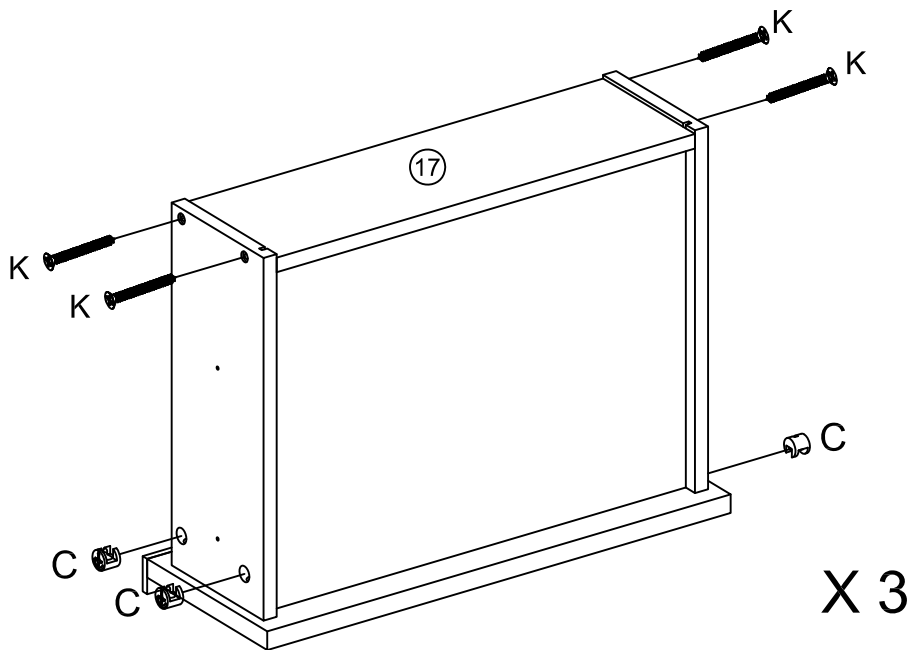
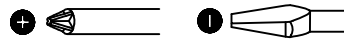
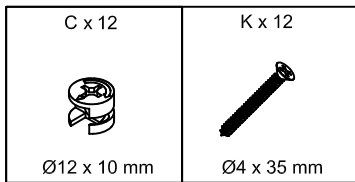
12



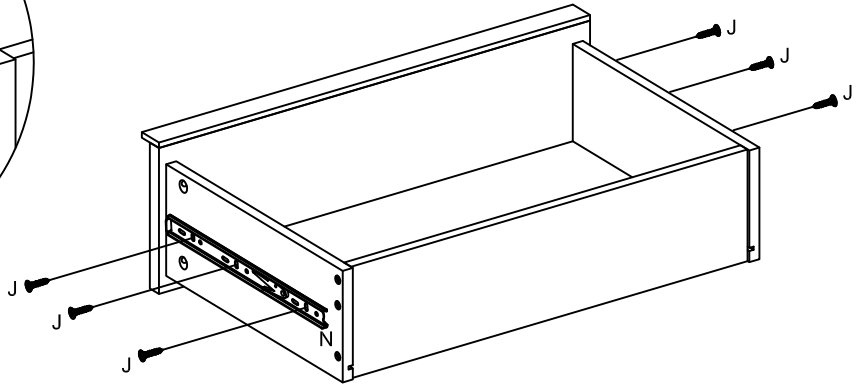
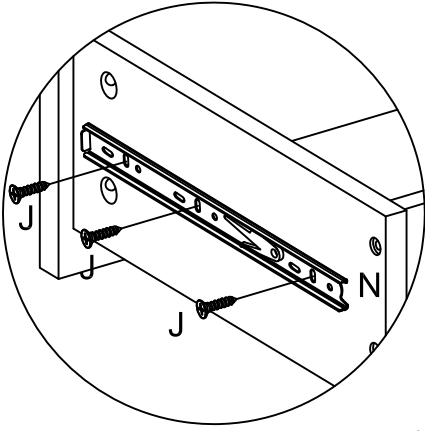
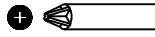
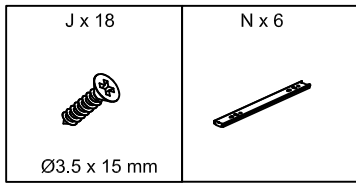
13



14

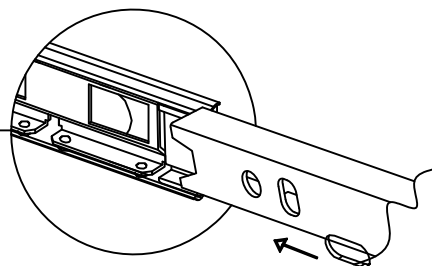
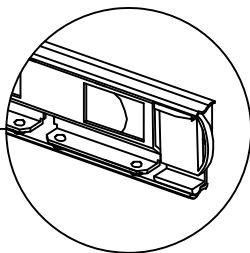
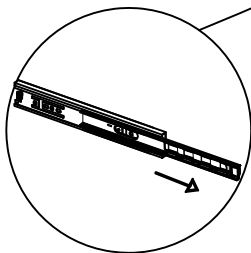
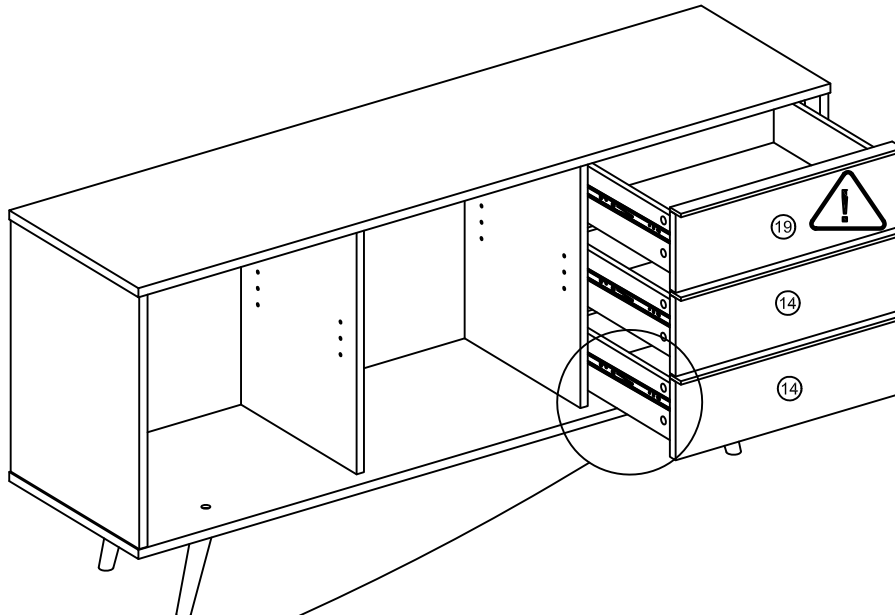


15






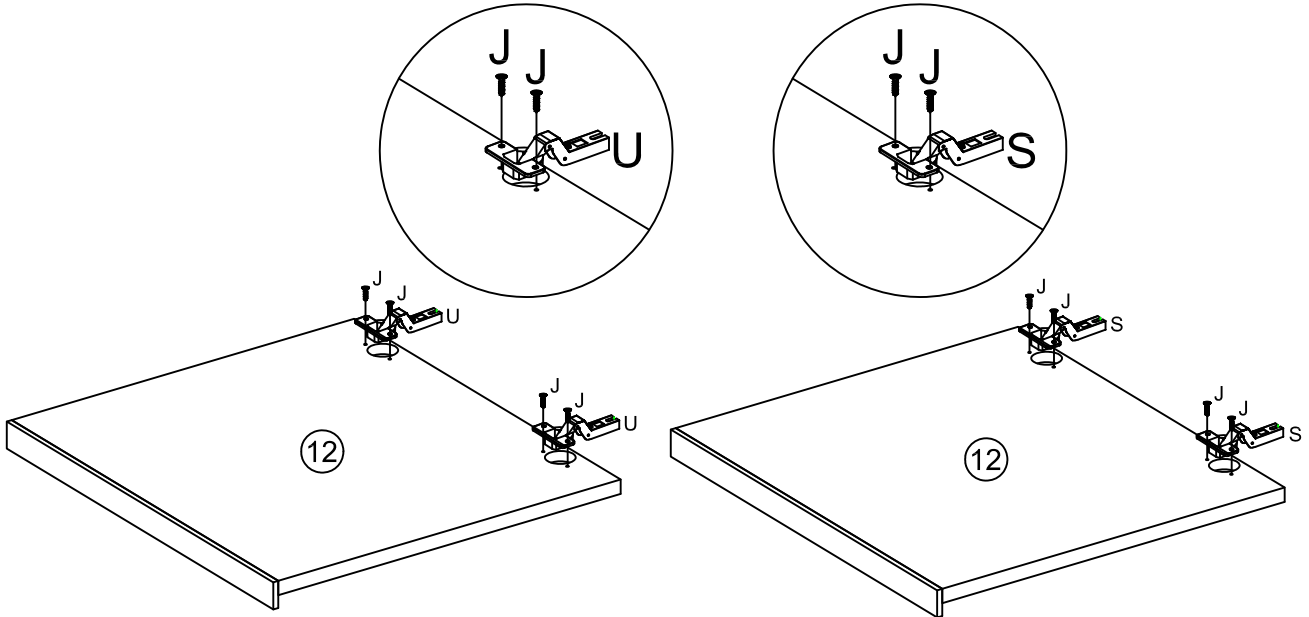
X 3

16

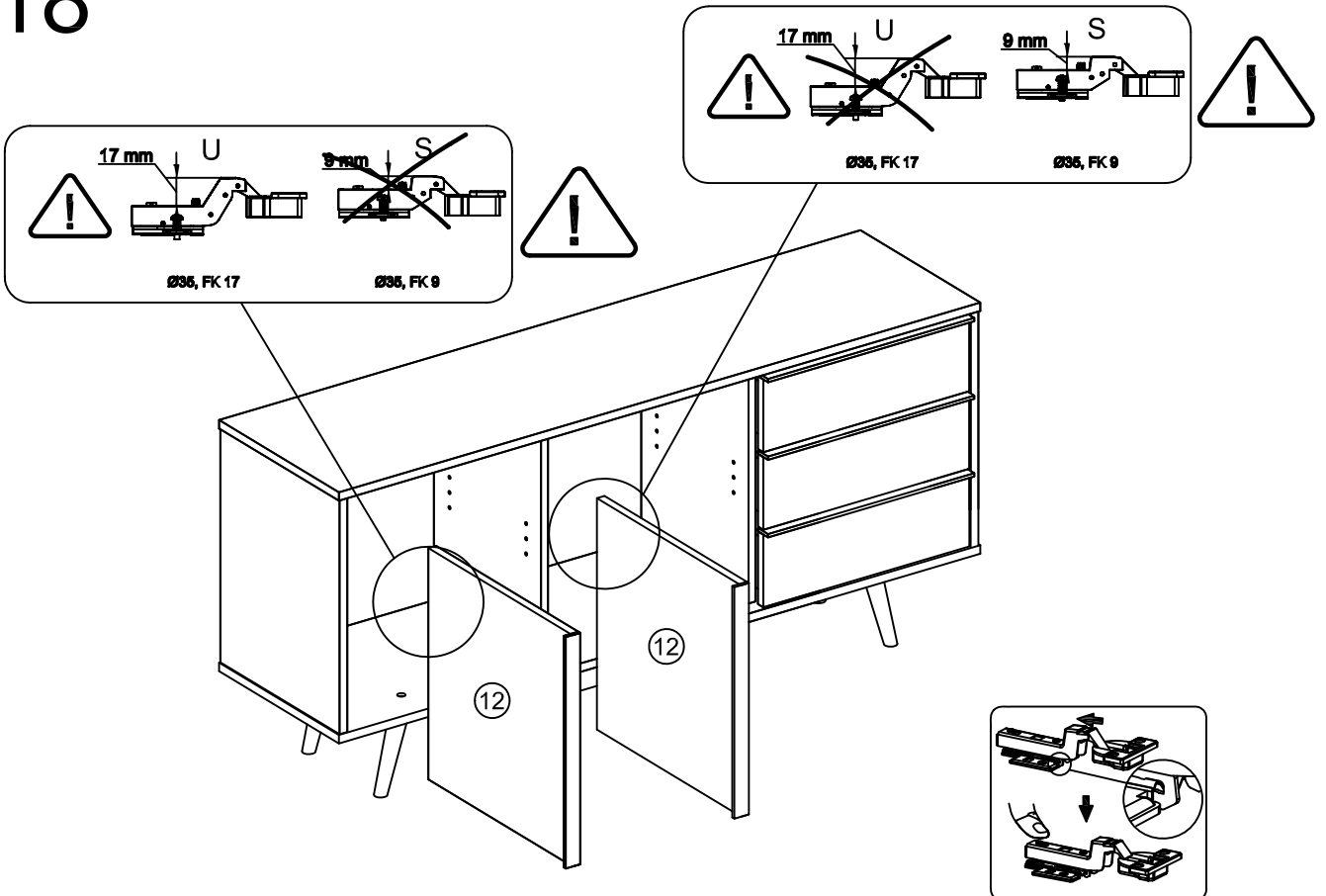


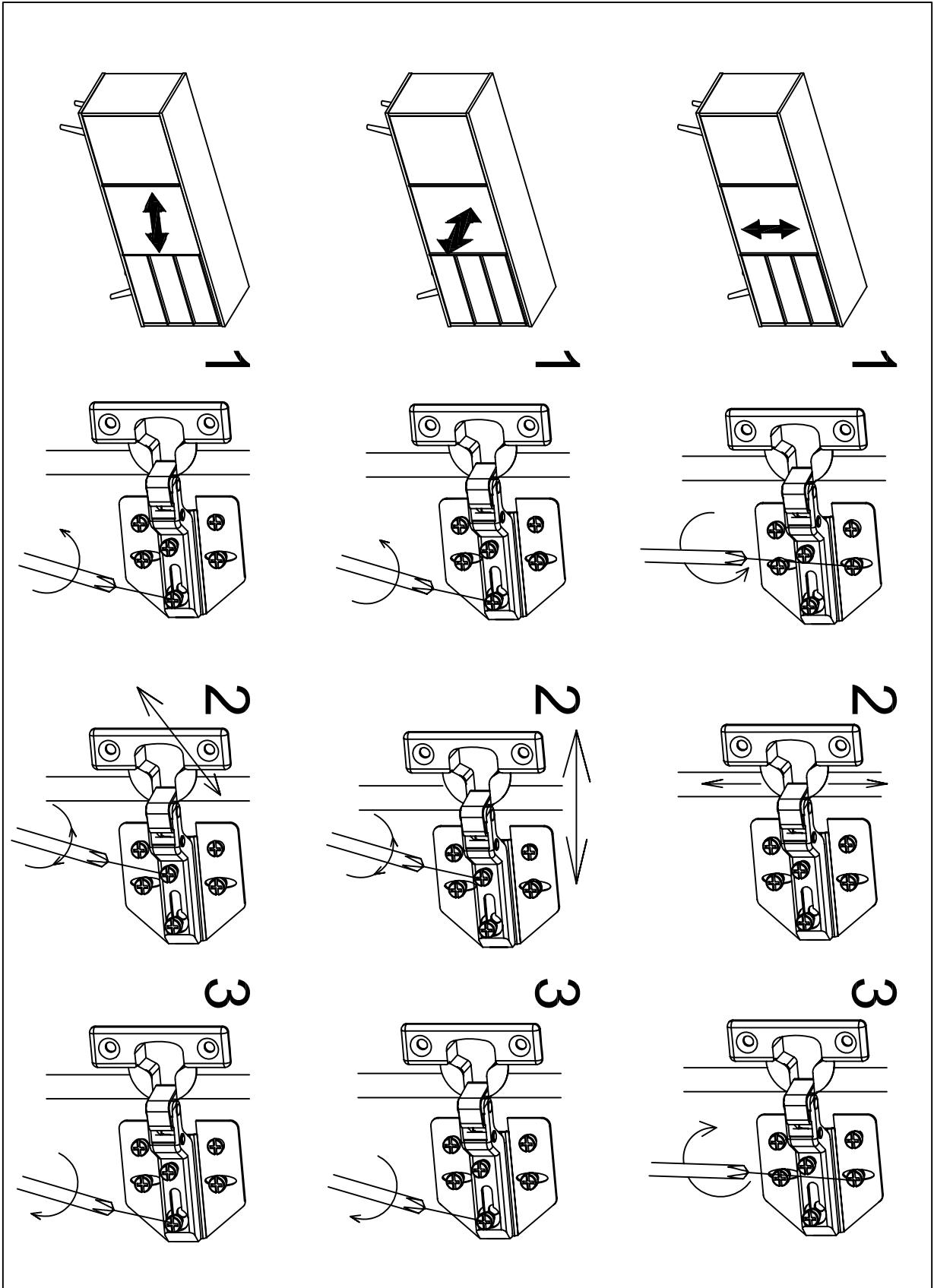
17

S x 2  Ø 35 , FK 9	U x 2  Ø 35 ,FK 17	J x 8  Ø3.5 x 15 mm
---	---	--

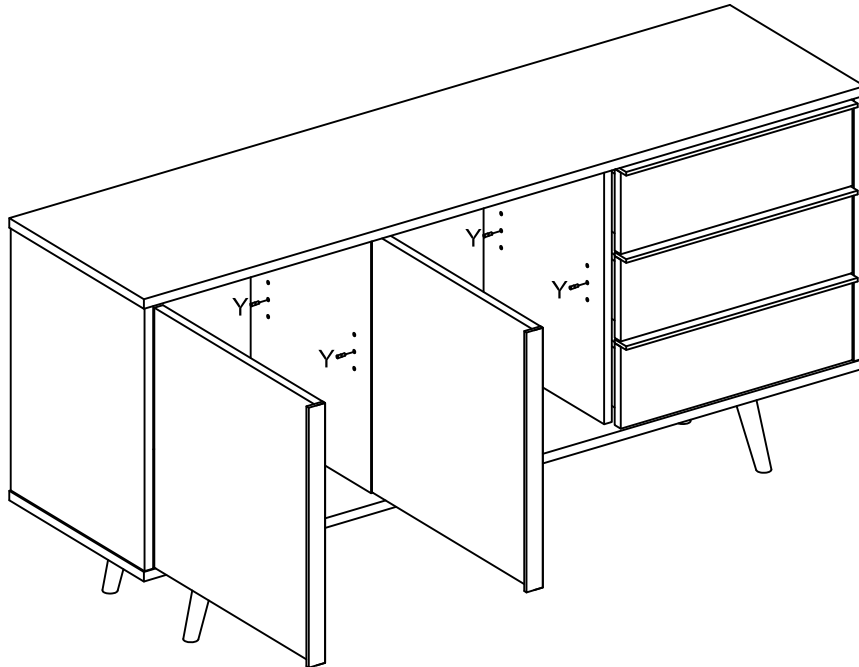
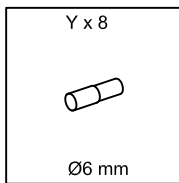


18

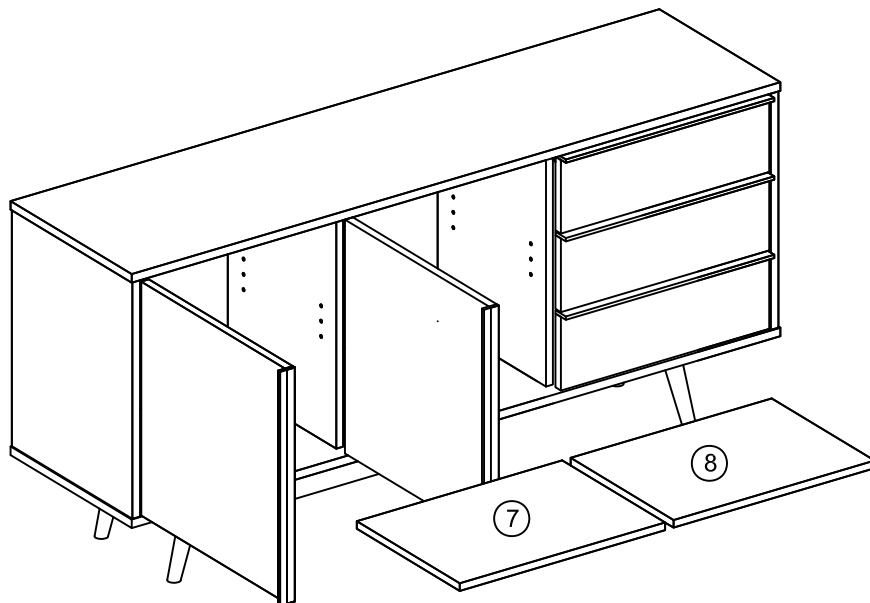




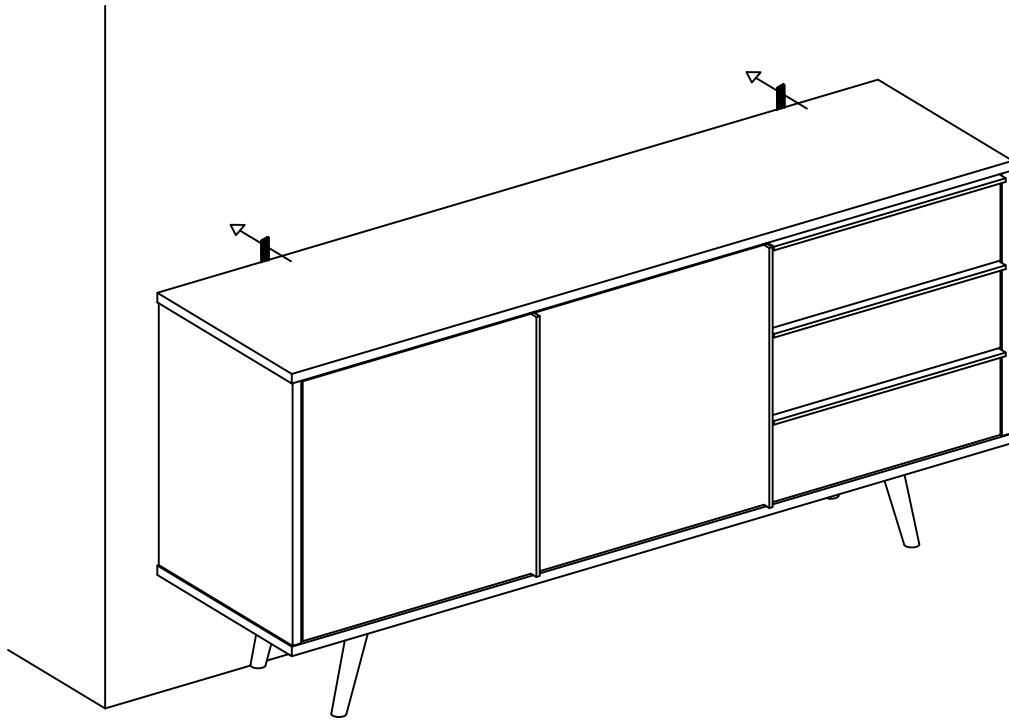
20



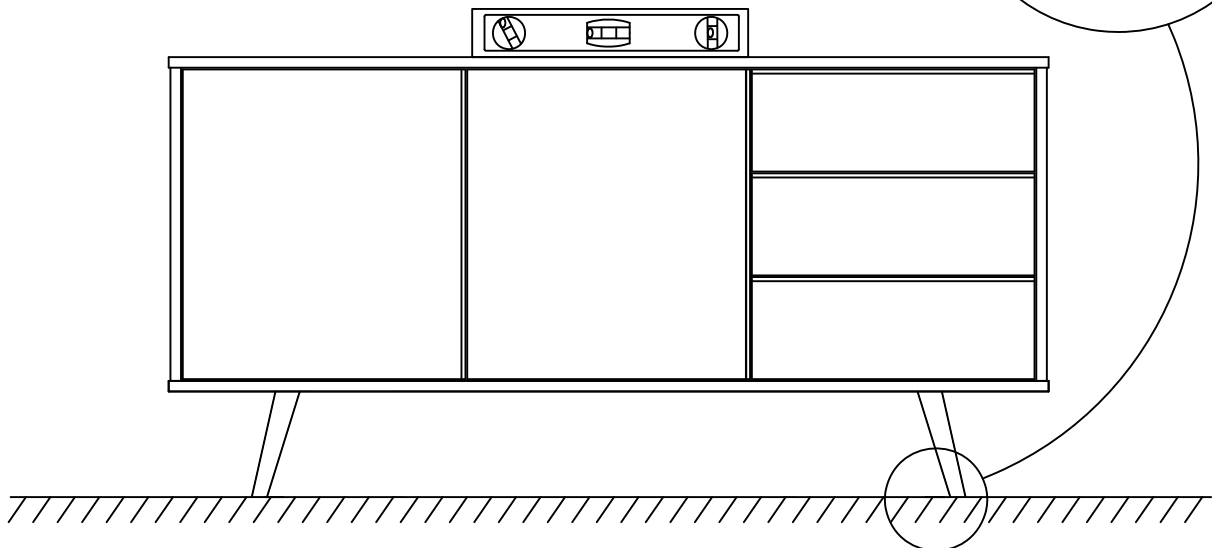
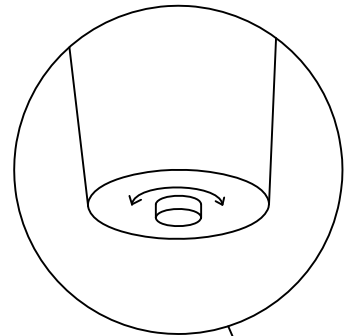
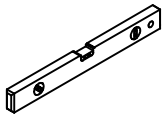
21



22



23



24

